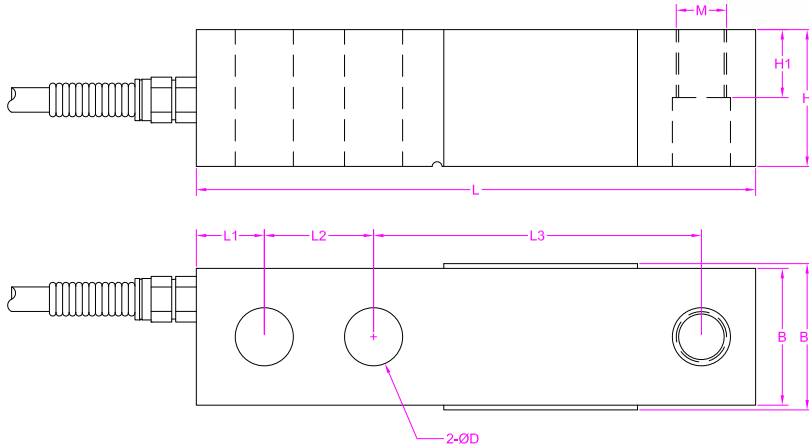
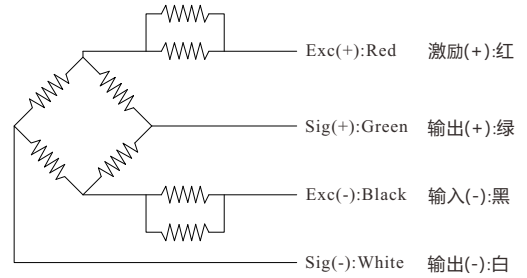


- IP67 sealed, high accuracy, low cost
- Widely used for floor scales, hopper scales, bed weighing, batch weighing, etc..



Wiring Diagram/接线图



Capacity	L	L1	L2	L3	H	H1	B	B1	D	M
100/250kg	130	15.8	25.4	76.2	31.8	15.8	31.8	37	13.5	M12*1.75
0.5/1/1.5/2 t	130	15.8	25.4	76.2	31.8	15.8	31.8	34	13.5	M12*1.75
1/1.5/2/2.5/3/4/5 klb										1/2-20UNF
2.5/3/5 t	171.5	19.1	38.1	95.3	38.1	18.8	38.1	40	19.8	M18*1.5
5(1e)/7.5/10 klb										3/4-16UNF
10t	222.3	25.4	50.8	120.7	50.8	25.4	50.8	52.4	26	M24*2
20klb										1-12UNF

Ordering code  
**FH8C - 2t**  
Model Capacity

P-1/2

--- Specifications / 规格参数 ---

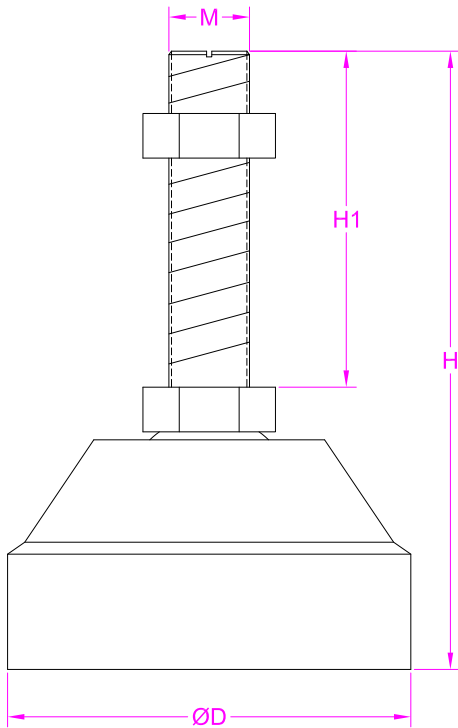
Rated Output 额定输出	3.0±0.005 mV/V	Compensated Temp. 温度补偿范围	-10...+40°C
Excitation 激励电压	3~15V	Operating Temp. 工作温度范围	-35...+65°C
Zero Balance 零点输出	±0.05mV/V	Temp. Shift Zero 零点温度漂移	±0.02% of R.O./10°C
Nonlinearity 非线性	±0.02% of R.O.	Temp. Shift Span 灵敏度温度漂移	±0.02% of R.O./10°C
Hysteresis 滞后	±0.02% of R.O.	Input Resistance 输入阻抗	350±10Ω
Nonrepeatability 非重复性	±0.017% of R.O.	Output Resistance 输出阻抗	350±5Ω
Creep(30min) 蠕变	±0.02% of R.O.	Insulation Resistance 绝缘阻抗	>5000MΩ(50V)
Safe Overload 安全过载	150% of F.S.	Ingress Protection 防护等级	IP67
Ultimate Overload 极限过载	250% of F.S.	Material of Element 弹性体材料	Nickel-plated alloy steel 合金钢镀镍
Cable 导线	0.5-2t Ø5*4000mm 4-core shielded cable Other capacities Ø5*6000mm 4-core shielded cable		
R.O.=Rated Output/额定输出 F.S.=Full Scale/满量程			

• Subject to change without notice / 如有更改,不另行通知

# Leveling foot



P-2/2



Ordering code	D	H	H1	M
HJ-8-A	60	92	50	M12*1.75
HJ-8-B				1/2-20UNF
HJ-8-C				M16*1.5
HJ-8-D	80	105	50	M18*1.5
HJ-8-E				3/4-16UNF
HJ-8-F				M20*2.5
HJ-8-G	86	112	50	M24*2
HJ-8-H				1-12UNF